



US0D1004768S

(12) **United States Design Patent**
Li et al.

(10) **Patent No.:** **US D1,004,768 S**

(45) **Date of Patent:** **** Nov. 14, 2023**

(54) **FACE MASK**

(71) Applicant: **Digipas Technologies Inc.**, Irvine, CA (US)

(72) Inventors: **Jim Hui Hong Li**, Singapore (SG); **Bi Yong Kuu**, Singapore (SG); **Shie Jie Ong**, Singapore (SG)

(73) Assignee: **DIGIPAS TECHNOLOGIES, INC.**, Irvine, CA (US)

(**) Term: **15 Years**

(21) Appl. No.: **29/740,142**

(22) Filed: **Jul. 1, 2020**

(51) **LOC (14) Cl.** **29-02**

(52) **U.S. Cl.**
USPC **D24/110.1; D29/108**

(58) **Field of Classification Search**
USPC D24/110, 110.1-110.6; D29/108
CPC ... A41D 13/11; A41D 13/1107; A41D 13/1115;
A41D 13/1123; A41D 13/113; A41D 13/1138;
A41D 13/1146; A41D 13/1153; A41D 13/1161;
A41D 13/1169; A41D 13/1176; A61M 16/06;
A62B 18/00; A62B 18/02; A62B 18/025;
A62B 23/00

See application file for complete search history.

(56) **References Cited**

U.S. PATENT DOCUMENTS

D382,341 S * 8/1997 Freund D24/110.3
D429,385 S * 8/2000 Lee et al. D29/108

D773,121 S * 11/2016 Yuan D29/108
D777,988 S * 1/2017 Miros et al. D29/108
D788,373 S * 5/2017 Bunge et al. D29/108
D937,406 S * 11/2021 Chatin D24/110.1
D946,747 S * 3/2022 Mathews D24/110.1
D946,832 S * 3/2022 Jiang D29/108
D955,652 S * 6/2022 Harder et al. D29/108
D956,953 S * 7/2022 Tu D29/108
D958,967 S * 7/2022 Zhu D24/110.1
D961,761 S * 8/2022 Vaidya D29/108
2019/0358473 A1* 11/2019 Szasz et al. A62B 23/025

* cited by examiner

Primary Examiner — Richard Kearney

Assistant Examiner — Michael Hoffman

(74) *Attorney, Agent, or Firm* — John Teresinski; Stites & Harbison PLLC

(57) **CLAIM**

The ornamental design for a FACE MASK as shown and described.

DESCRIPTION

FIG. 1 is a front view of the face mask according to the new design;

FIG. 2 is a right sideview of the face mask;

FIG. 3 is a back view of the face mask;

FIG. 4 is a left side view of the face mask;

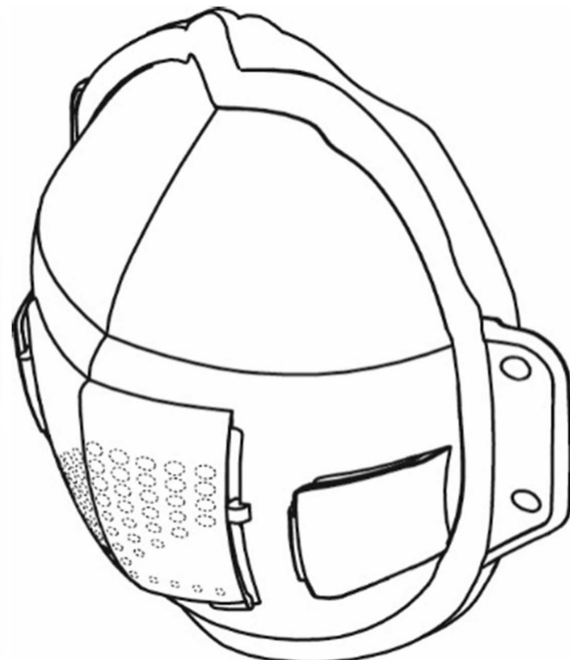
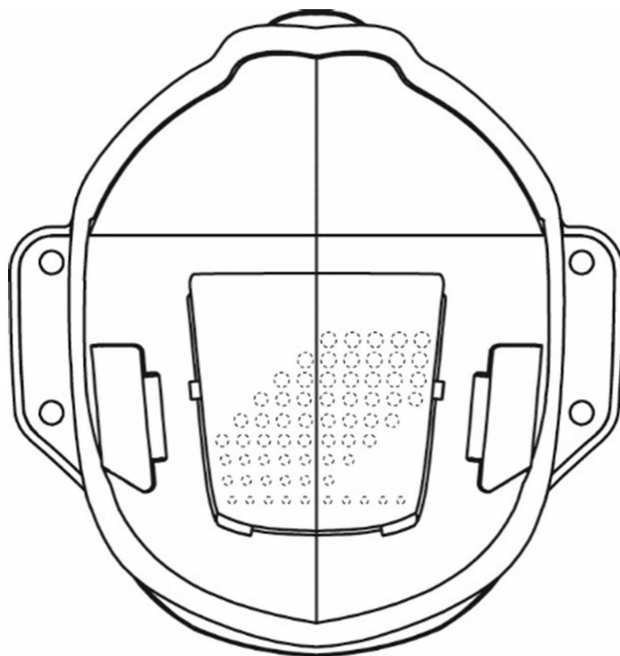
FIG. 5 is a top view of the face mask;

FIG. 6 is a bottom view of the face mask; and

FIG. 7 is an elevated front and right perspective view of the face mask.

The broken lines in the Figures show portions of the FACE MASK that form no part of the claimed design.

1 Claim, 4 Drawing Sheets



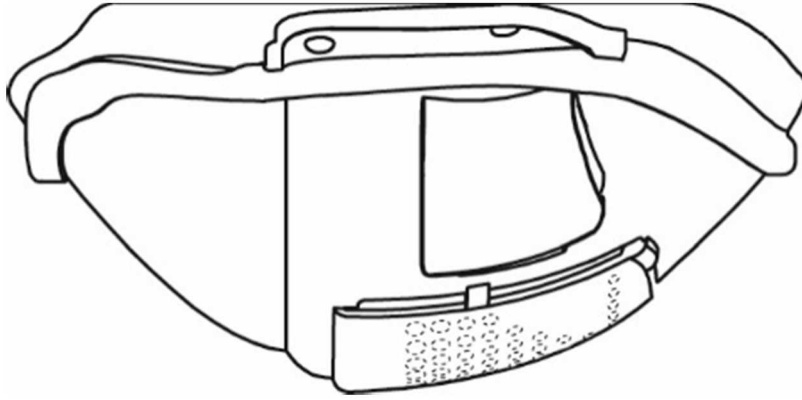


FIG. 2

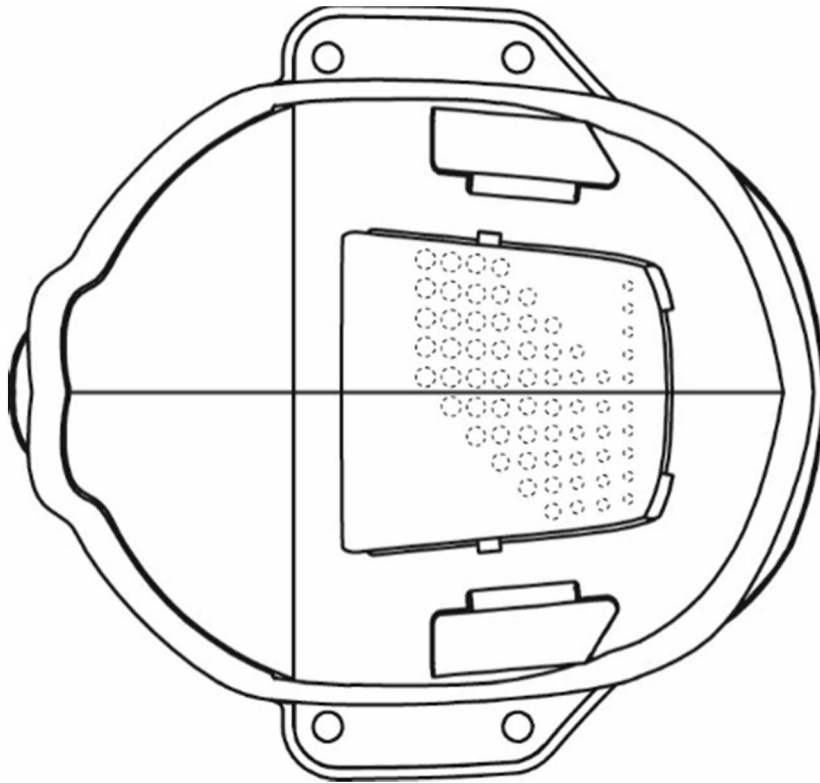


FIG. 1

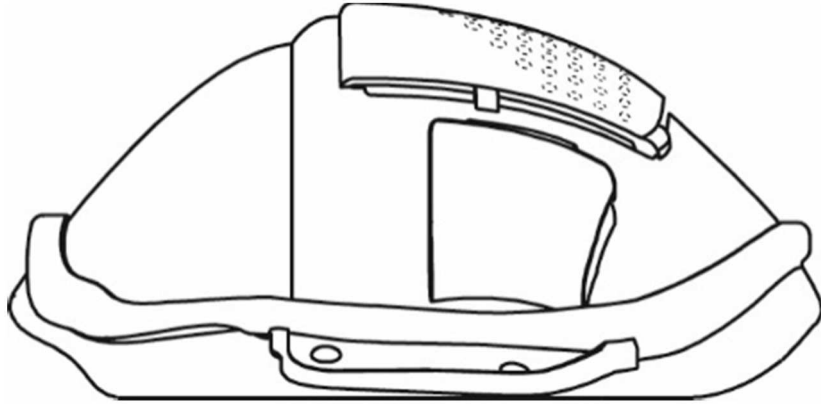


FIG. 4

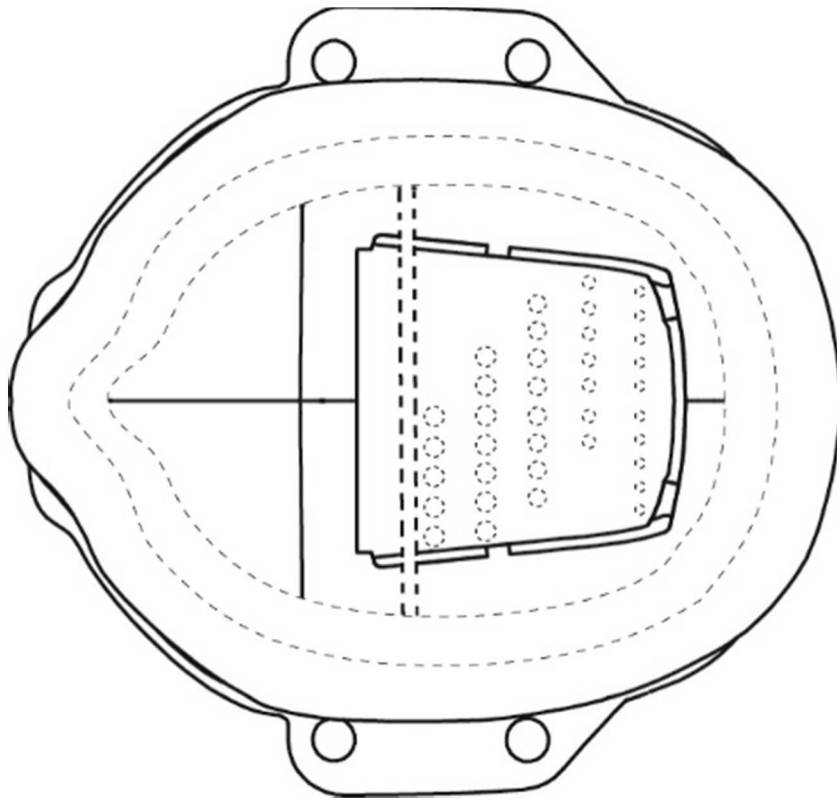


FIG. 3

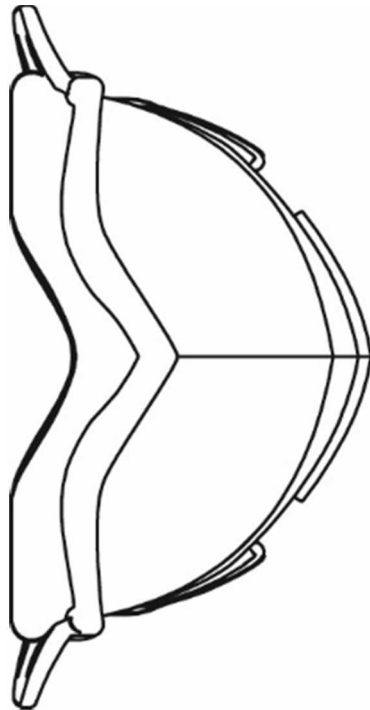


FIG. 5

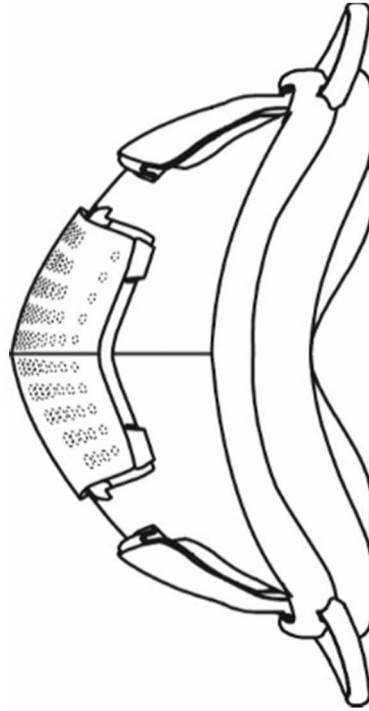


FIG. 6

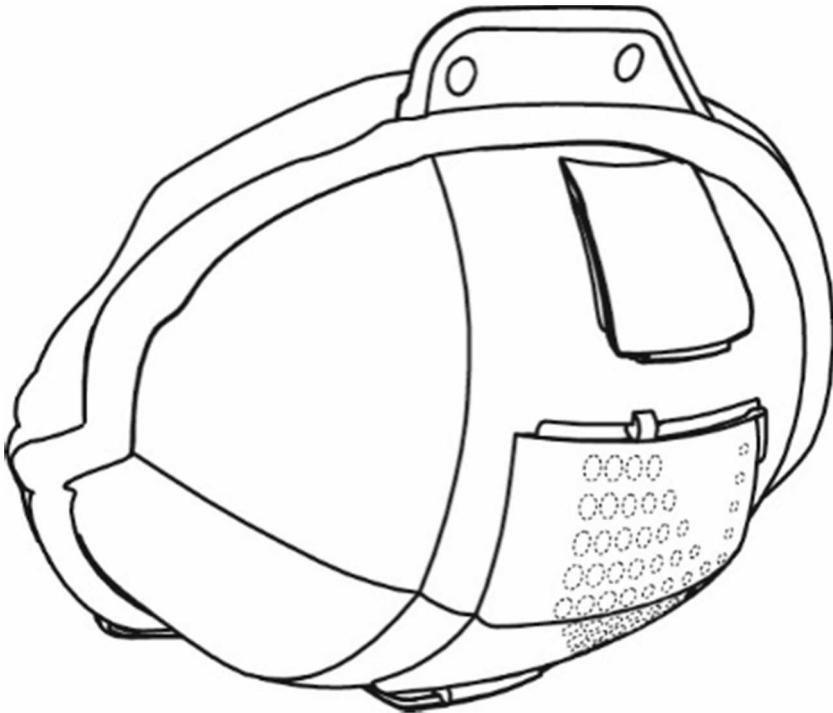


FIG. 7