

PROPRIETARY AND CONFIDENTIAL
 THE INFORMATION CONTAINED IN THIS
 DRAWING IS THE SOLE PROPERTY OF
 JSB TECH PTE LTD. ANY
 REPRODUCTION IN PART OR AS A WHOLE
 WITHOUT THE WRITTEN PERMISSION OF
 JSB TECH PTE LTD IS
 PROHIBITED.

		UNLESS OTHERWISE SPECIFIED:		NAME	DATE
		DIMENSIONS ARE IN INCHES	DRAWN	KUU	10/04/12
		TOLERANCES:	CHECKED		
		FRACTIONAL ±	ENG APPR.		
		ANGULAR: MACH ± BEND ±	MFG APPR.		
		TWO PLACE DECIMAL ±	Q.A.		
		THREE PLACE DECIMAL ±	COMMENTS:		
		INTERPRET GEOMETRIC TOLERANCING PER:			
		MATERIAL PC/ABS CAST IRON			
		FINISH			
	NEXT ASSY	USED ON			
	APPLICATION				
	DO NOT SCALE DRAWING				

ALL DIMENSION IN MM

TITLE:

DWL9000XY

SIZE
A

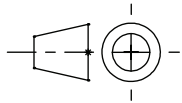
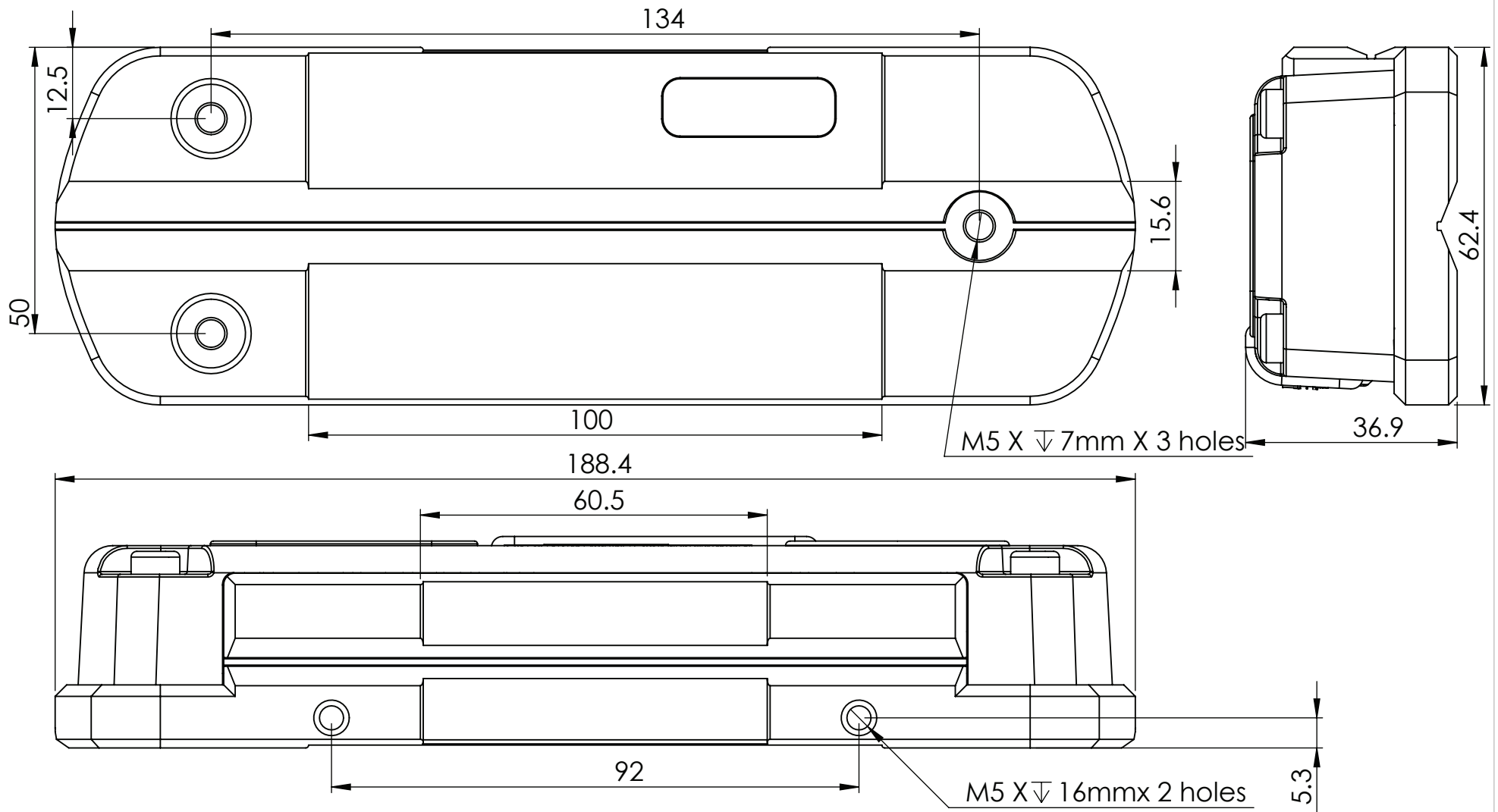
DWG. NO.
2013-04-1101

REV

SCALE: 1:1

WEIGHT:

SHEET 1 OF 2



PROPRIETARY AND CONFIDENTIAL
 THE INFORMATION CONTAINED IN THIS DRAWING IS THE SOLE PROPERTY OF JSB TECH PTE LTD. ANY REPRODUCTION IN PART OR AS A WHOLE WITHOUT THE WRITTEN PERMISSION OF JSB TECH PTE LTD IS PROHIBITED.

UNLESS OTHERWISE SPECIFIED:		NAME	DATE
DIMENSIONS ARE IN INCHES		DRAWN	KUU
TOLERANCES:		CHECKED	10/04/12
FRACTIONAL \pm		ENG APPR.	
ANGULAR: MACH \pm BEND \pm		MFG APPR.	
TWO PLACE DECIMAL \pm		Q.A.	
THREE PLACE DECIMAL \pm		COMMENTS:	
INTERPRET GEOMETRIC TOLERANCING PER:			
MATERIAL PC/ABS			
CAST IRON			
NEXT ASSY	USED ON		
APPLICATION			
DO NOT SCALE DRAWING			

ALL DIMENSION IN MM

TITLE:

DWL9000XY

SIZE
A

DWG. NO.
2013-04-1102

REV

SCALE: 1:1

WEIGHT:

SHEET 2 OF 2

5

4

3

2

1