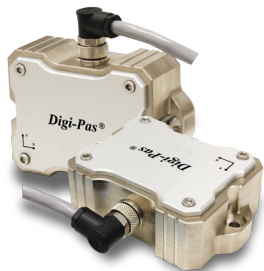


2-Axis Precision Sensor Module

Model : DWL-5500XY



User Quick Guide

Technical Support
Email : info@digipas.com

For more information please visit
www.digipas.com/2-axis-precision-sensor-module

Technical Specification

Dimension (mm)	90 x 60 x 33
Weight (Approx.)	600g
Power Voltage	9V DC
Output Mode*	USB, RS232, RS485 and SPDT Relay. Wireless Bluetooth connectivity (optional)
Waterproof Rating	IP65
Operating Temperature	-20°C to +70°C
Storage Temperature	-30°C to +80°C

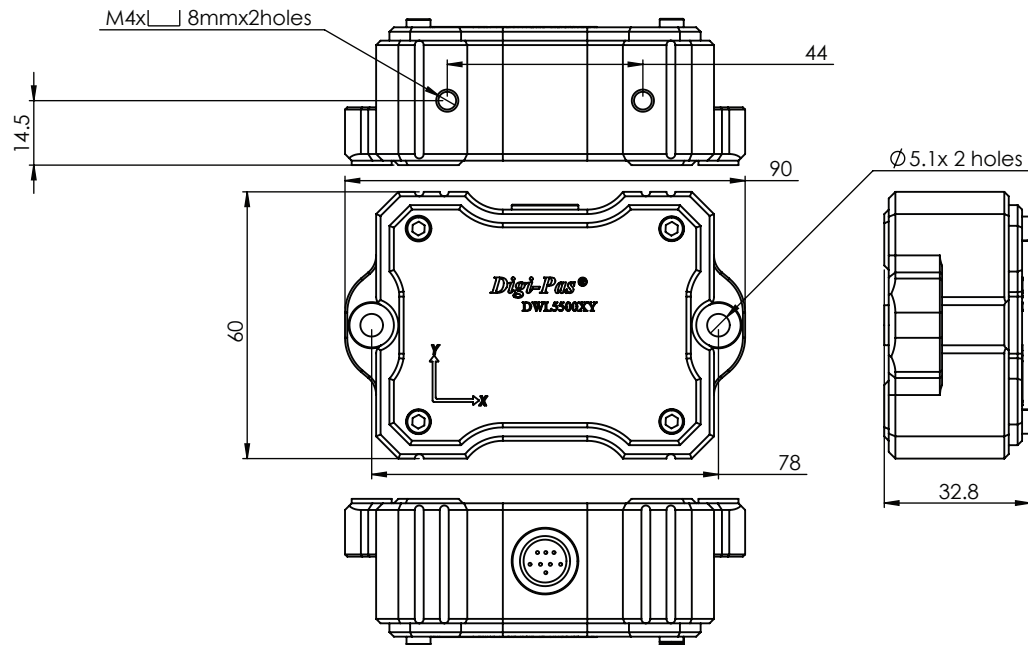
Notes :

- Product specification and appearance are subject to change for product improvement without prior notice.
- * Control Box is required

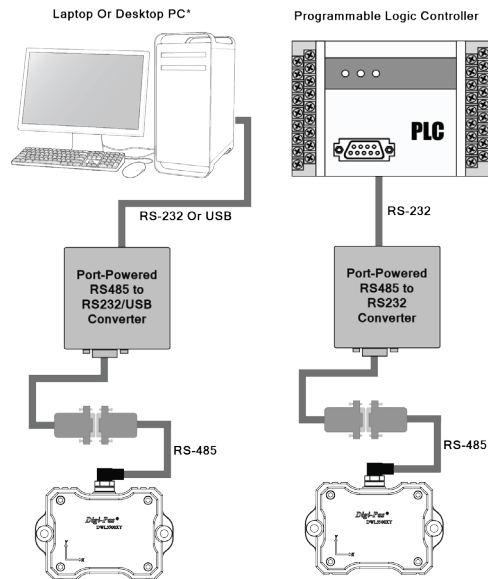
Kit Contents

- 1 Sensor Module
- 2 Cable (for connecting sensor module to PC or Control box)
- 3 Calibration Certificates
- 4 Quick Guide

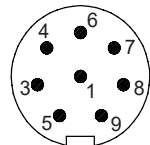
Device Overview



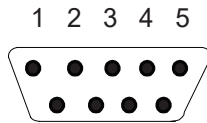
Application



Connection Pin-out



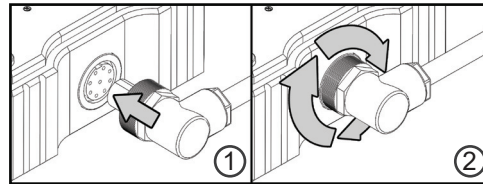
Circular Multipole
(sensor module)



DB-9

Pin	Description
1	GND
2	N.C (No Connection)
3	GND (Without Control Box) Signal 1 (For Control Box)
4	GND (Without Control Box) Signal 2 (For Control Box)
5	Power input (9V)
6	A (Non-inverting Receiver Input/Tx+)
7	B (Inverting Receiver Input/Tx-)
8	Z (Inverting Driver Output)/Rx-
9	Y (Non-inverting Driver Output/Rx+)

Safety Precautions



- ① Ensure the circular multipole plug is aligned to the receptacle on the sensor module by following the locking guide.
- ② Secure the circular multipole plug by screwing it clockwise.

Calibration

Digi-Pas® device is calibrated in the factory for maximum accuracy. User can re-calibrate when necessary.

Cleaning

- Do not use harsh chemicals, strong detergents or cleaning solvents to clean the device.

Warranty

Digi-Pas® Digital level is warranted to the original purchaser to be free from defects in workmanship and material. JSB Tech will, at its option, repair or replace any defective part which may malfunction under normal and proper use within a warranty period of 1 (one) year from the date of shipment. This one year warranty clause is NOT applicable to European Union (EU) member states. Purchases made in EU member states will be covered by the existing consumer laws across the European Union, which provide statutory warranty rights in addition to the coverage of one year warranty period. The foregoing warranty shall not apply to defects resulting from misuse, abuse or transfer by the Buyer, Buyer-supplied software or interfacing, unauthorized modification or operation outside of environmental specifications for the product. JSB Tech does not warrant that the operation of the instrument software, or firmware, will be uninterrupted or error free. The exclusive remedy under any and all warranties and guarantees, expressed herein, and we shall not be liable for damages from loss or delay of equipments uses, consequential, or incidental damage. No other warranty is expressed or implied. JSB Tech specifically disclaims the implied warranties of

Distributed By:

Manufactured by
JSB TECH Pte Ltd

Email: info@digipas.com

www.digipas.com